

**ASSEMBLY INSTRUCTIONS  
INSTRUCTIONS POUR L'ASSEMBLAGE**

**ACME**  
**FURNITURE**



MODEL : BD06022Q  
DESC. : QUEEN BED  
SLAT SYSTEM : 5PCS

# ASSEMBLY INSTRUCTIONS FOR ACME FURNITURE MODEL

## #BD06022Q

Thank you for purchasing the quality product. Be sure to check all packing material carefully for small parts which may have come loose inside the carton during shipment. Separate, identify and count all parts and metal hardware. Compare with all parts list to be sure all parts are present. If any part (s) are missing or damaged, please contact your local furniture dealer. For efficient and speedy service, please indicate the model number and code letter of part (s) needed.

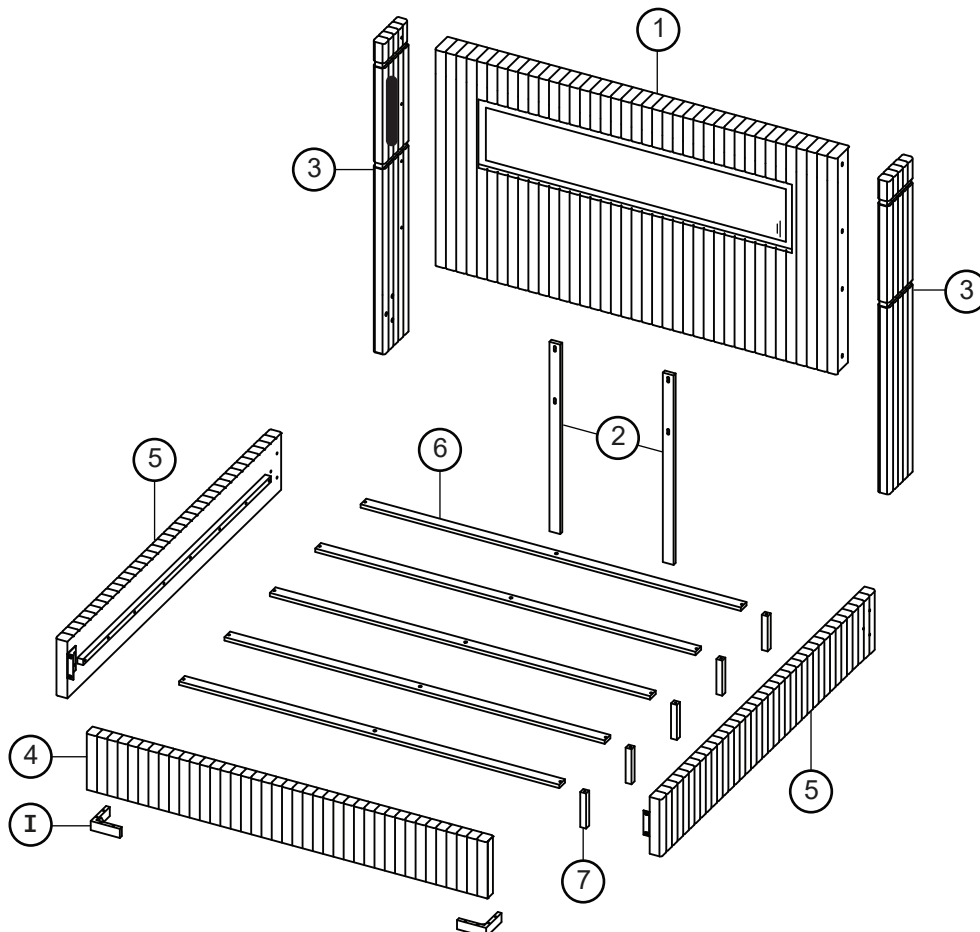
**\*\*\*Do not fully tighten bolts and screws until fully assembled\*\*\***

### PART LIST :

PART#	DESCRIPTION	QTY
1	Headboard	1
2	Headboard Leg Support	2
3	Headboard Wing (L & R)	2
4	Footboard	1
5	Side Rail (L & R)	2
6	Slat With 3 Holes	5
7	Leg Support	5

### HARDWARE LIST :

NO	DESCRIPTION	QTY
A	Allen Key With Ball M4	1
B	Connection Bolt (M6 x 30mm) W/Spring Washer & Washer Medium	4
C	Connection Bolt (M6 x 40mm) W/Spring Washer & Washer Medium	12
D	Connection Bolt (M6 x 60mm) W/Spring Washer & Washer Medium	6
E	JCBC Bolt M6 x 40mm	5
F	CSK Screw M4 x 32mm	10
G	CSK Screw M4 x 45mm	4
H	Adjuster	5
I	L-Shape Leg	2
J	Speaker Adapter	1
K	Fireplace Remote (Battery Not Provided)	1

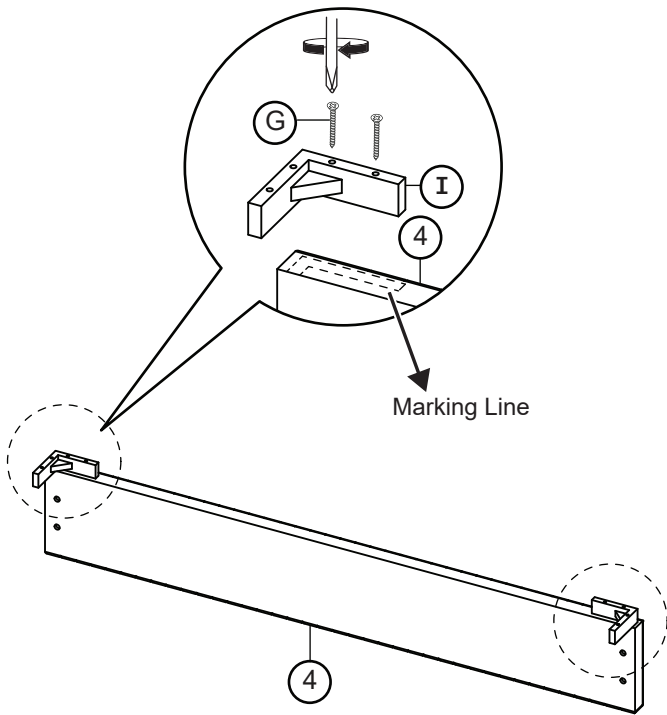


### Attention:

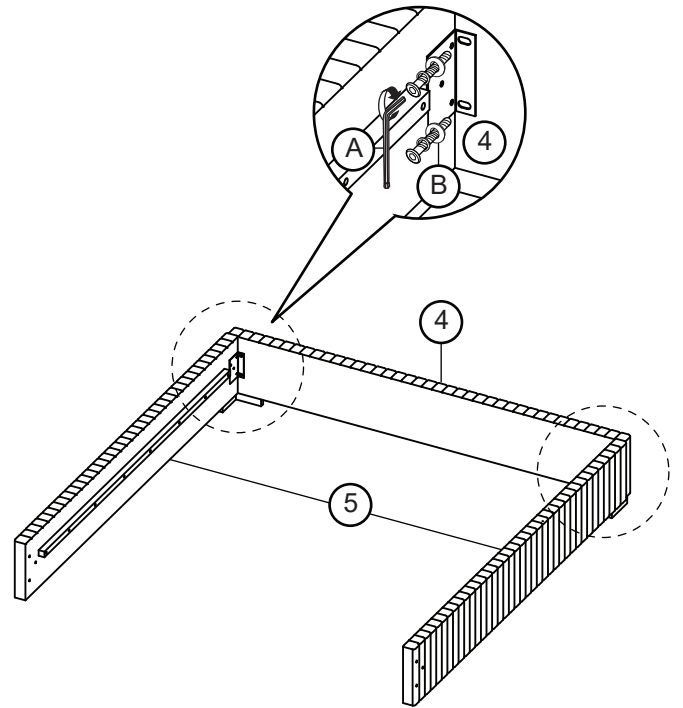
\*\*\* Some number parts listed on the instruction sheet may not be in parts bag as they may already be assembled. Carefully check parts and packing materials prior to ordering replacements.

# HOW TO ASSEMBLE :

## STEP: 1

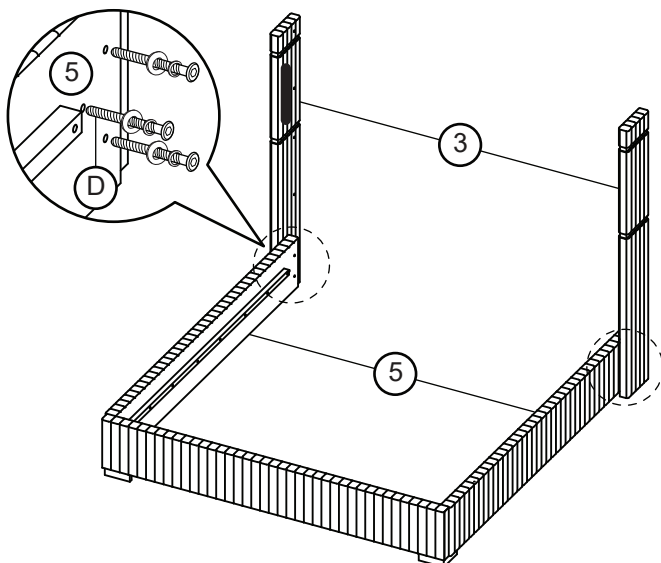


## STEP: 2



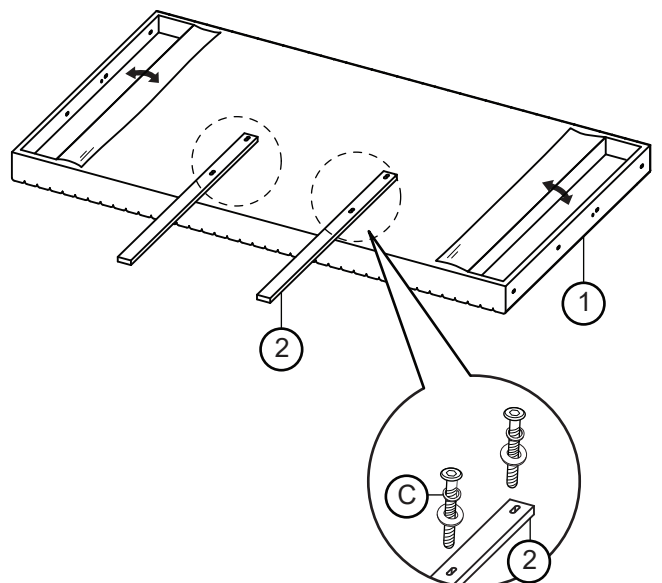
## STEP: 3

Do Not Fully Tight the Bolts (D).



## STEP: 4

Do Not Fully Tight the Bolts (C).

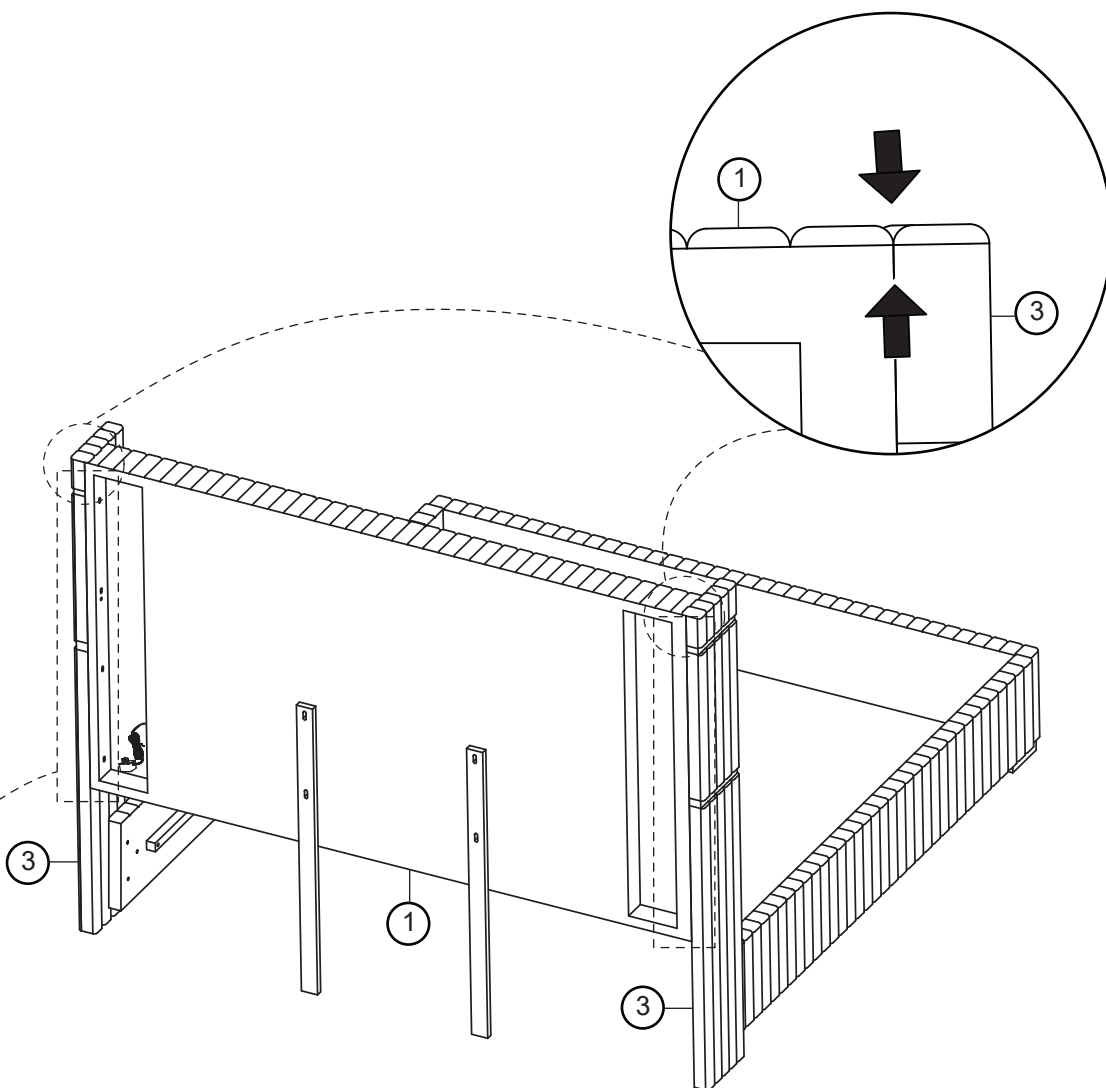


# HOW TO ASSEMBLE :

## STEP: 5

FULLY TIGHTEN, AFTER ALL THE BOLTS (C & D) HAVE BEEN FIXED.

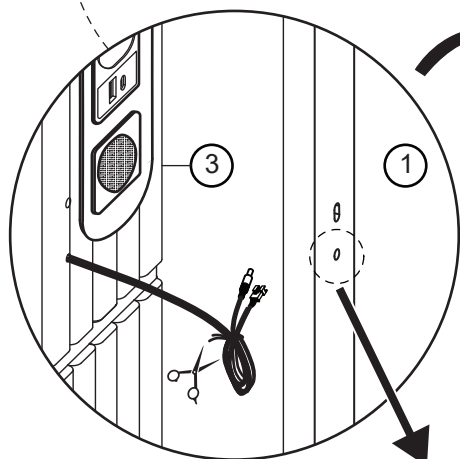
CAUTION: ALIGN TO EVEN LEVEL.



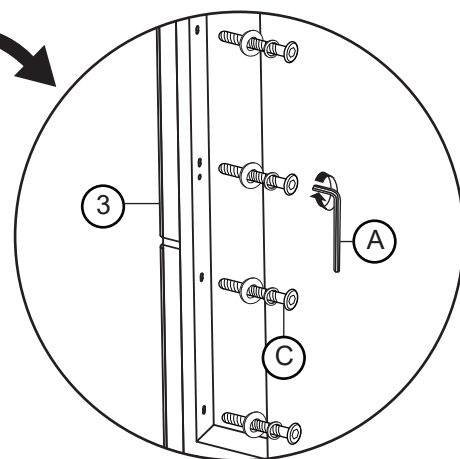
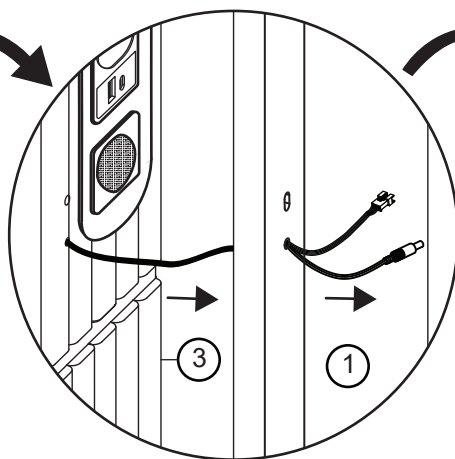
Step: 5-1

Step: 5-2

Step: 5-3



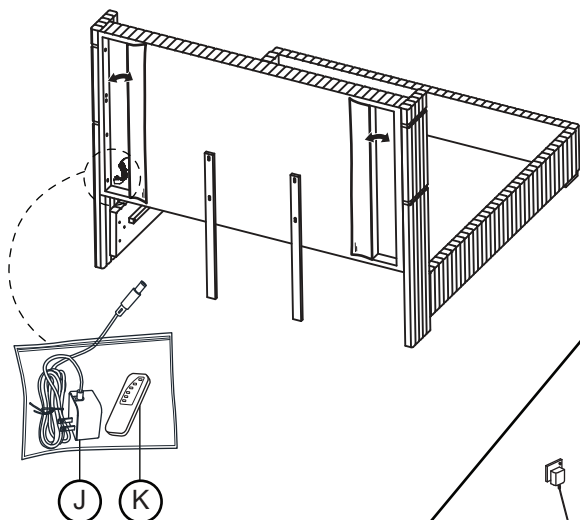
Hole for Cable  
(Follow the Sticker)



# HOW TO ASSEMBLE :

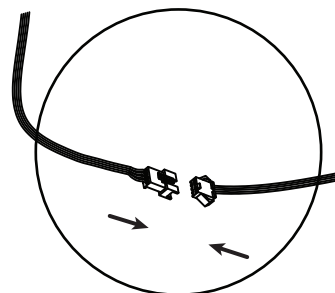
## STEP: 6

Take Out the Speaker Adapter (J) and Fireplace Remote (K).

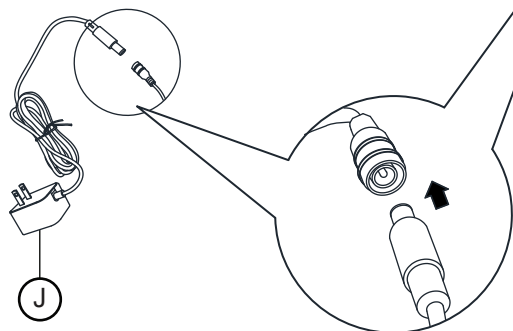


## STEP: 7

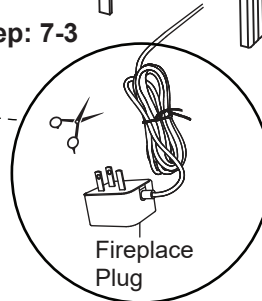
### Step: 7-1



### Step: 7-2

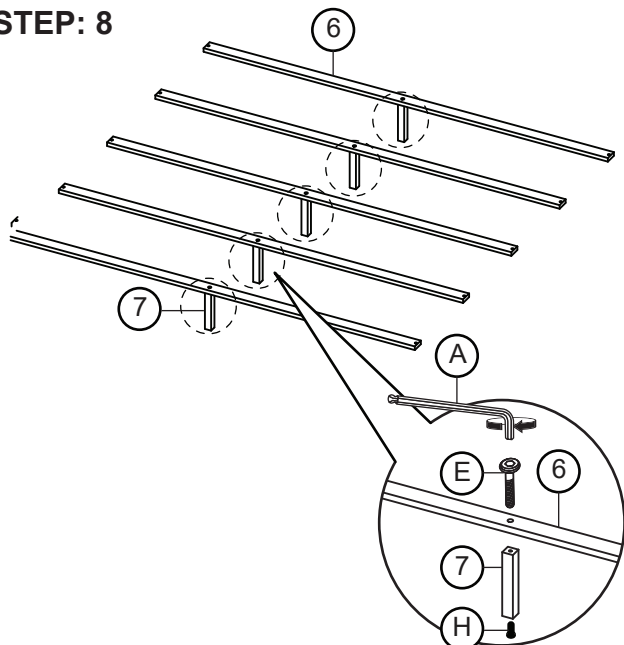


### Step: 7-3

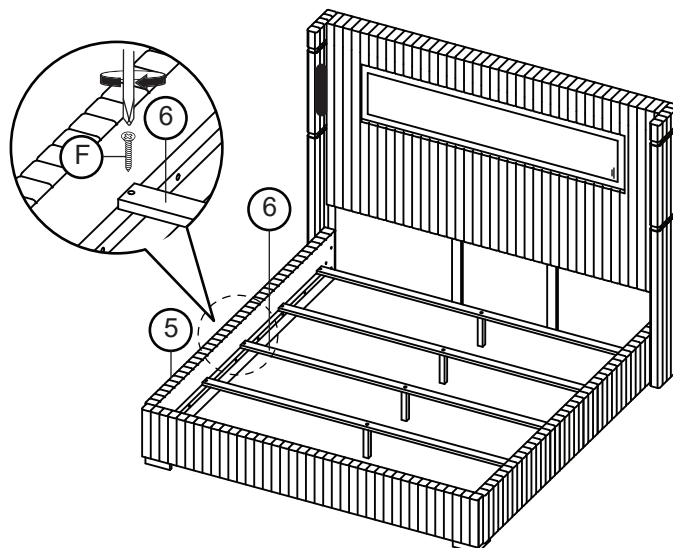


Use scissors to cut the strap off.  
Pull Out the Wire to the Required Length.

## STEP: 8

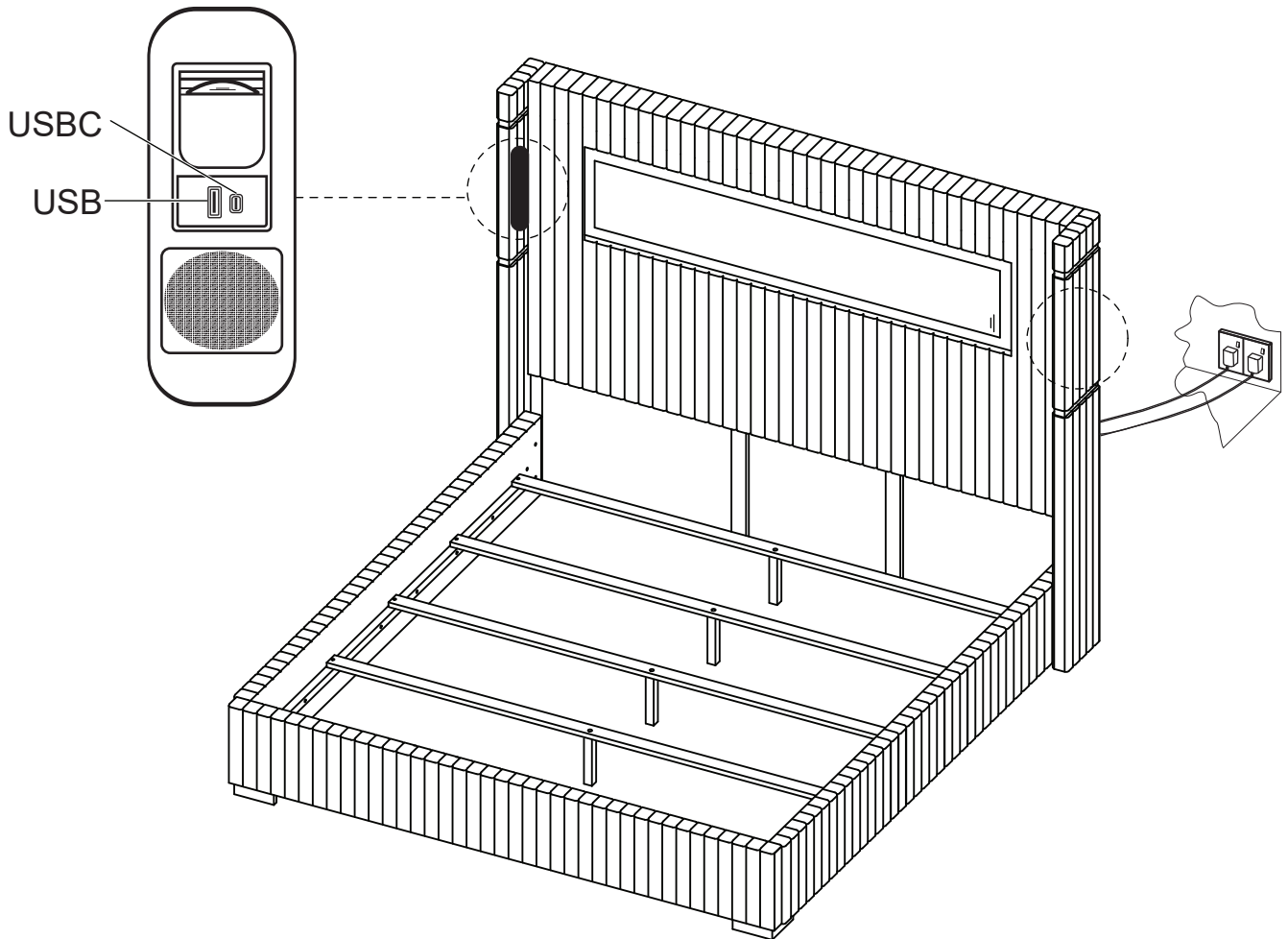


## STEP: 9



# HOW TO ASSEMBLE :

STEP: 10



**ASSEMBLY COMPLETE**

